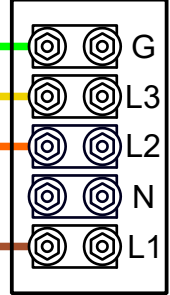
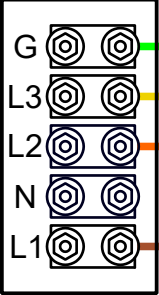


Load A

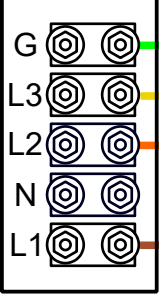
Model 204-3D

Line

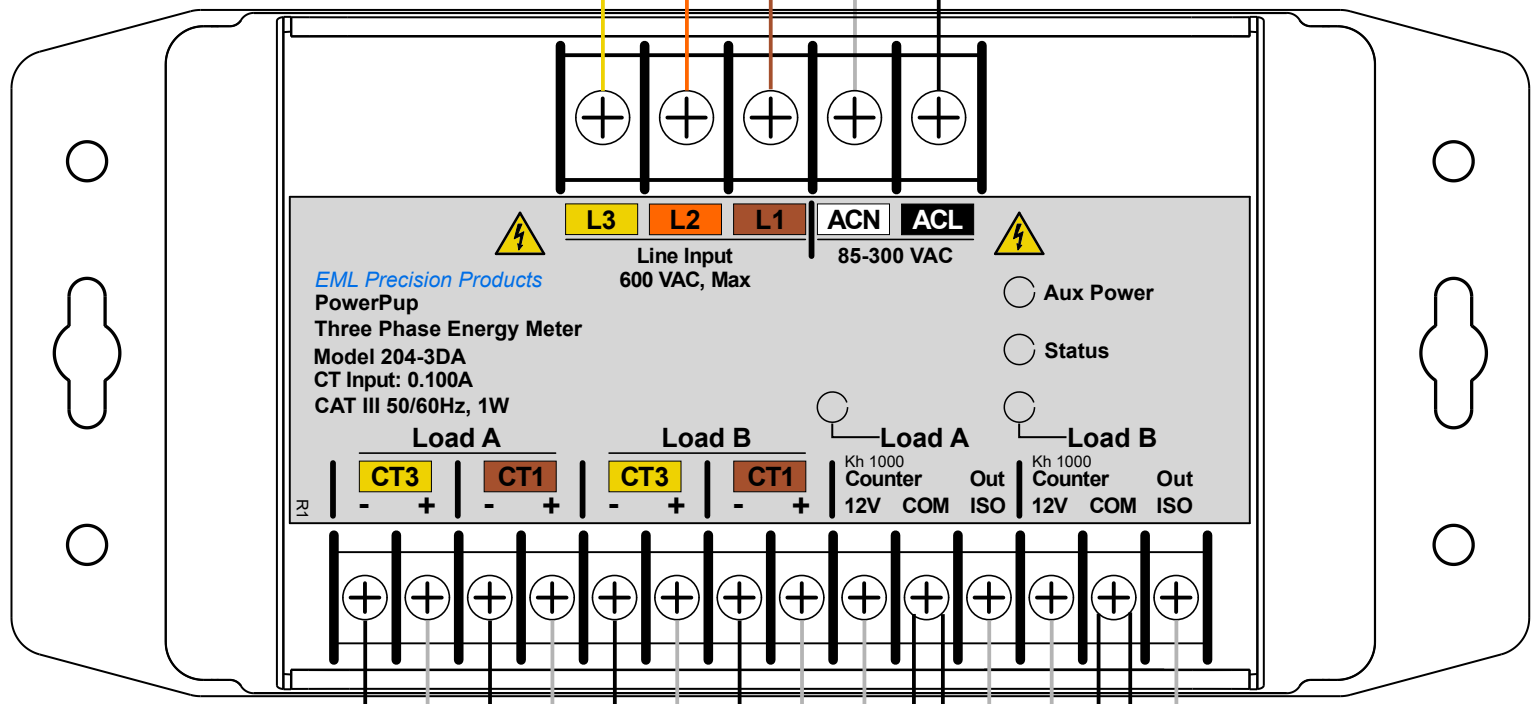
Dual Meter, Three Phase, 3 Wire, 480V, Auxilliary Powered



Load B



Aux. Power  
120V/240V



Counter B

Energy Display B

Counter A

Energy Display A